



# YUMEROBO

Dream Robot



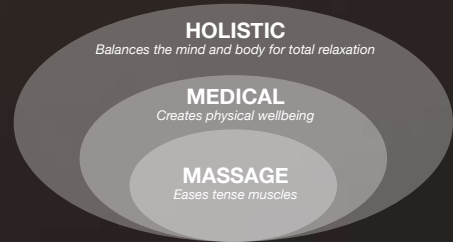
*T. Kita*  
Design Toshiyuki KITA

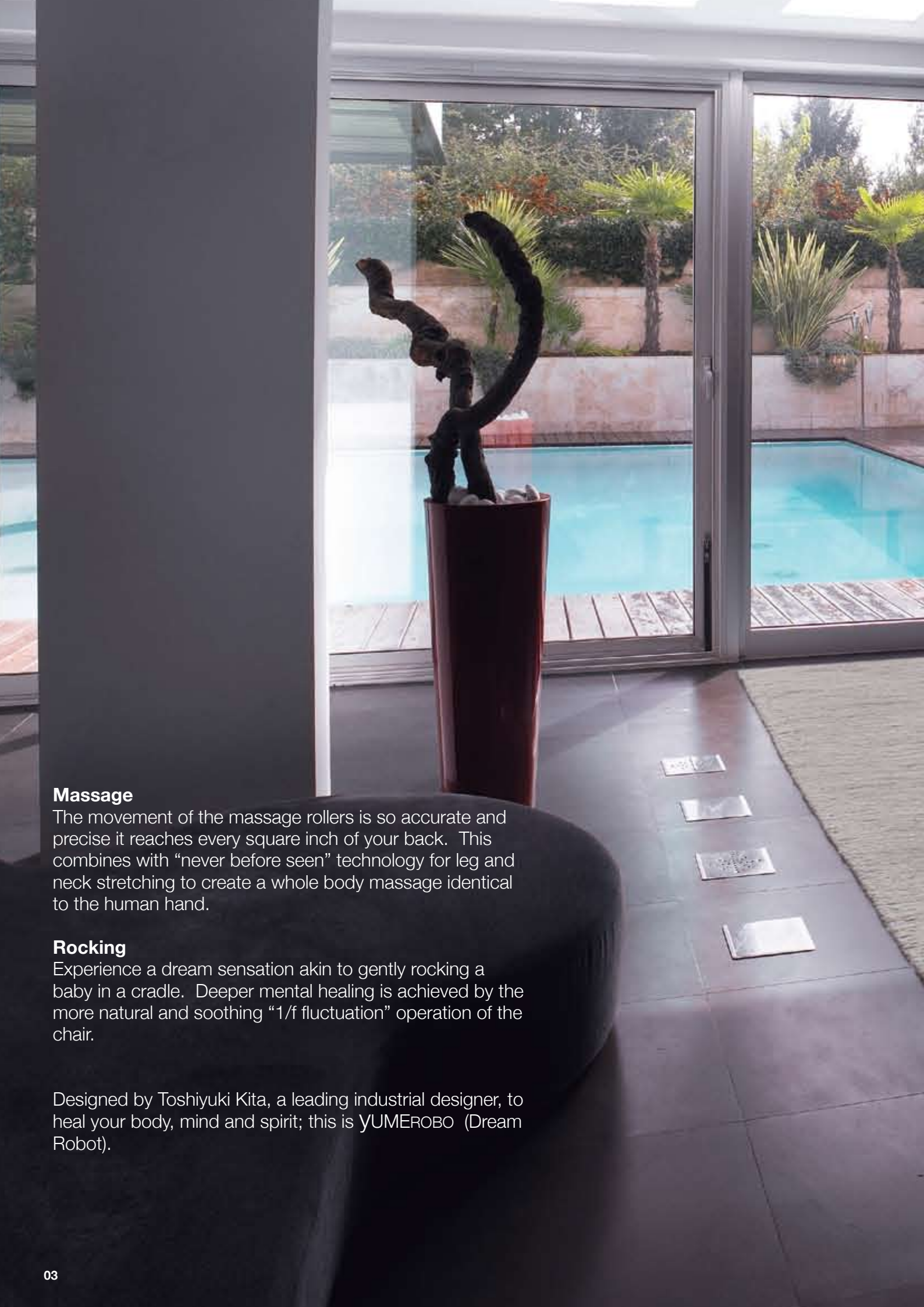


# From Massage Chair to Holistic Chair



YUMEROBO offers a holistic massage so extraordinary that it transcends all common expectations of a massage chair. Experience unsurpassed relaxation that renews and refreshes the entire mind and body. Discover balance, harmony and new vitality. Be happier, healthier and more productive with YUMEROBO, our meticulously crafted and most advanced full-body massage experience.





### **Massage**

The movement of the massage rollers is so accurate and precise it reaches every square inch of your back. This combines with “never before seen” technology for leg and neck stretching to create a whole body massage identical to the human hand.

### **Rocking**

Experience a dream sensation akin to gently rocking a baby in a cradle. Deeper mental healing is achieved by the more natural and soothing “1/f fluctuation” operation of the chair.

Designed by Toshiyuki Kita, a leading industrial designer, to heal your body, mind and spirit; this is YUMEROBO (Dream Robot).





What makes our Inada YUMEROBO so unique?

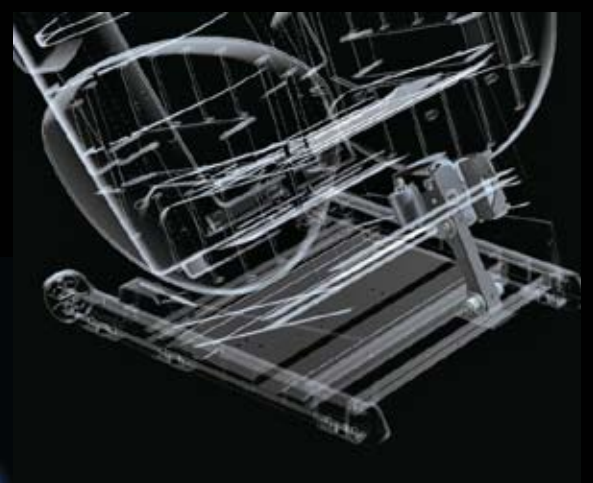
Beginning with the development of YUMEROBO we posed this question. The answer... forget about the luxury chair, the development of new advanced ideas leads us to the “rocking chair”. Our fully automatic rocking mechanism makes you feel like a baby in a cradle and this gentle rocking enriches the soul.

### The First in the Industry: Rocking Function

Rocking chairs became popular in the U.S. in the 18th century, then the idea began to spread around the world and rocking chairs became synonymous with relaxation and leisure. Whilst in pursuit of relaxation technology, Inada has developed an “industry first”... the fully automatic rocking chair.

This principle of combining a rocking motion and a massage chair can adjust the regular and irregular rhythms of your body. The rhythm of a rocking chair is a  $1/f$  fluctuation movement. These rhythms are the same as the running water of a stream or of the morning bird song. We feel good because of this  $1/f$  rhythm which operates on the same frequency as the human body.

We are proud to introduce the marriage of the rocking chair and the massage chair to enhance our pursuit of real relaxation. Escape from your everyday life and spend some slow-paced time together with YUMEROBO.



The pursuit of physical and mental relaxation technology.

# Relaxation Technology



Equipped with a soothing rocking function for moving back and forth. Massage can be performed at the same time as cradle-like rocking. The rocking motion also creates a pleasant mood.

**Sharp LED Light**  
With various kinds of lighting pattern the subdued LED lights provide deeper relaxation.



Neck-stretching Pillow unit

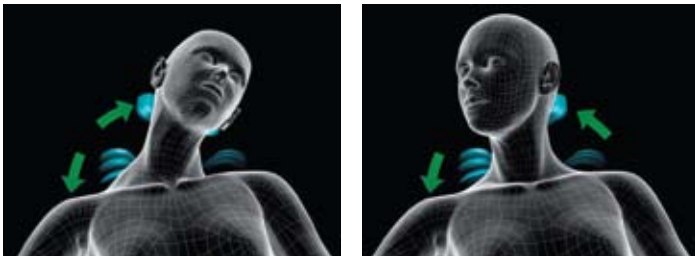
Four (4) ball Seesaw system

Seat air massage unit

Rotary massage unit

# Massage Technology

## The First in the Industry: Neck Stretch Pillow



YUMEROBO provides not only Kneading and Shiatsu but a Twist and Stretch action for the neck. This massage action is much closer to the professional massage technique.

## The First in the Industry: Rotary Massage Function



Equipped with a new function for the calves, with a stretching effect that combines both mechanical and air action to give a completely new “never before experienced” type of massage.

## Continued improvement of existing Inada technology

### Stretch motion



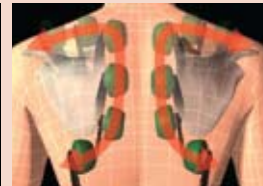
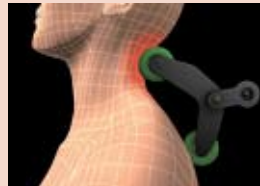
#### Entire Body Stretch

A combination of massage rollers and reclining motion enables an entire body stretch.

#### Hip Twist

Air bags in the seat enables improved hip twist.

### Wide array of massage technique



#### Finger Pressure (SHIATSU)

By removing the neck cushion the massage rollers can directly massage the neck shiatsu points using “full finger” pressure.

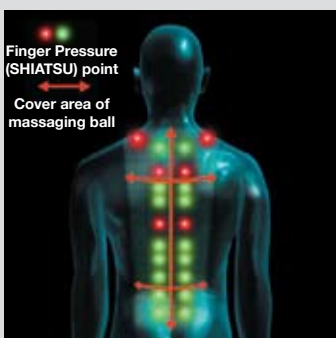
#### Shoulder Pull Massage

While avoiding the scapula and the shoulder pull points, the stiff parts of the back and shoulders are deeply massaged.

#### Deep Hip Massage

The whole hip and waist area down to the tailbone will be widely massaged.

## Standard performance of Inada Massage system



Finger Pressure (SHIATSU) point

Cover area of massaging ball

### Automated Optical Sensor System

The Optical Sensor will automatically detect Shiatsu points, which vary by individual body type, to create the most effective and personalised massage.



### Medical Programs

Preset programs allow you to select the optimal course, while the manual selection mode allows you to combine functions to suit your particular needs.



### 4 Ball Seesaw Roller Mechanism and Ultra Slow system

Gives a softer massage feeling with modulated performance.

# Simple operation by Remote Controller



- **Master Shiatsu Program**  
This program gives a full-body massage using expert techniques.
- **Stretch Program**  
This program includes light stretch actions where the entire body is bent backward.
- **Rock & Massage Program**  
A program that massages while rocking the chair back and forth.
- **Quick Program**  
This program gives a condensed massage for those who are short of time.
- **Shoulder Program**  
The program gives a concentrated massage of the neck and shoulders.
- **Lower Back Program**  
This program gives a concentrated massage of the lower back.

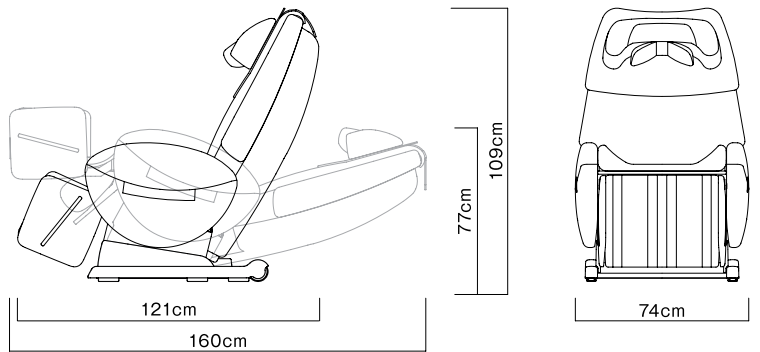


**Therapeutic Sharp LED Lighting**  
The gentle LED light gives visual therapy.



## Specification

Product Name	Family Inada Chair YUMEROBO HCP-R100
Power Supply	AC 220-240V – 50-60Hz
Power consumption	110W
Auto Timer	approximately 15 minutes (varies in automatic programs)
Medical Licence Number	312B2x00003
Certificate Number	222ADBZX00005000



### Dimensions

Width:	Approx. 74 cm
Length:	Approx. 121 (160) cm
Height:	Approx. 109 (77) cm
Weight:	Approx. 79 kg

### Accessories

Power Cable, Buffer Pad (thick), Buffer Pad (thin),  
Finger Pressure Pads A/B: 2 pcs. each  
Finger Pressure Sheet x 2 pcs.



## Colour Variation



**HCP-R100 (BK)**  
Black/Ivory



**HCP-R100 (IV)**  
Ivory/Black



**HCP-R100 (RD)**  
Red/Black



### Kita-inspired design

Rounding off the amazing massage capabilities of the INADA YUMEROBO, you will also find the uncompromising design of Toshiyuki Kita. His world-renowned furniture designs have earned his work a place in the permanent collections of the Museum of Modern Art (MoMA) in New York, the Centre Georges Pompidou in Paris, Pinakothek der Moderne in Munich.

The INADA YUMEROBO redefines the massage chair by blending ancient eastern therapy with modern visual appeal.

*T. Kita*  
Design Toshiyuki KITA



## Oakdale

Official European Importer/Distributor

Ellesmere Business Park  
Oswestry Road, Ellesmere SY12 0EW, UK  
Tel: +44 (0) 1691 623234 Fax: +44 (0) 1691 624224

Web: [www.inada.co.uk](http://www.inada.co.uk)  
[www.inada.fr](http://www.inada.fr)  
[www.inadamassagesessel.de](http://www.inadamassagesessel.de)

Email: [sales@inada.co.uk](mailto:sales@inada.co.uk)  
[info@inada.fr](mailto:info@inada.fr)  
[info@inadamassagesessel.de](mailto:info@inadamassagesessel.de)